

# *InStyle*

CLADDING

## CLADDING INSTALLATION GUIDE



**BAYSWOOD TIMBER**  
WHOLESALE PTY. LTD

USE TIMBER – THE MOST ENVIRONMENTALLY  
FRIENDLY BUILDING PRODUCT ON THE PLANET

**CREATE  
A LASTING  
IMPRESSION**



INSTYLE TIMBER CLADDING HAS BEEN DEVELOPED TO PROTECT AND BEAUTIFY ANY BUILDING DESIGN OR STYLE.

THE FOLLOWING INSTYLE CLADDING INSTALLATION MANUAL WILL ENSURE THE CORRECT STORAGE, HANDLING, FIXING, FINISHING AND MAINTENANCE PROCEDURES TO FOLLOW TO GIVE YOU MAXIMUM SERVICEABILITY AND PROTECTION SO THAT YOUR INSTYLE CLADDING PROVIDES YOU LASTING BEAUTY THAT WILL STAND OUT.

TIMBER IS A NATURAL PRODUCT AND COLOURS WILL VARY BETWEEN SPECIES. COLOUR VARIATION IS PERFECTLY NORMAL AND EXPECTED WITHIN ALL SPECIES.

BUILDINGS OR WALLS THAT ARE SITUATED IN AREAS OF EXTREME WEATHER REQUIRE THE USE OF A NARROW CLADDING. THE 76x19 INSTYLE CLADDING IS THE PERFECT SOLUTION FOR THESE AREAS OR A FACE FIXED 122x19 INSTYLE CLADDING IS ALSO APPROPRIATE. EXTREME WEATHER CONDITIONS AND HARD TO REACH AREAS FOR MAINTENANCE SHOULD ALWAYS BE TAKEN INTO CONSIDERATION AT THE DESIGN AND INSTALLATION STAGES. IT IS NOT APPROPRIATE THAT ALL PROJECTS CAN HAVE SECRET FIXINGS.

---

## CONTENTS

TAKING DELIVERY	4
PREPARATION	5
THE INSTALLATION PROCESS	9
ACCESSORIES	11



## TAKING DELIVERY

When taking delivery of your order please ensure the packs are in good condition. Any damage to the packs needs to be noted on your supplier delivery docket and your InStyle supplier informed immediately. If you have any concerns or problems with the cladding, do not install it. Please call your supplier for assistance.

**ANY CLADDING INSTALLED IS DEEMED TO BE ACCEPTED BY CUSTOMER.**

# PREPARATION

## ONSITE STORAGE

It is recommended to keep the packs intact and wrapped in plastic as they were delivered, out of the elements until the InStyle cladding is ready to be installed. This can help prevent any movement of the boards after being machined. This may help accuracy and straightness, making the installation process considerably easier.

## MOISTURE

While InStyle cladding has been dried to a moisture content suitable for external applications, it will still take on moisture from rain, air conditions and the ground, causing natural expansion and contraction to occur across the width of the board. As this expected process can affect the ease of installation it is best to keep the product dry, stored at least 50mm above the ground and installed as soon as possible.

If you require InStyle cladding to be used internally, this needs to be specified at the time of order as a different moisture content is required. Internal applications require a lower moisture content than external applications, however in hot & dry areas, cladding may need to be dried specifically to suit. It is always recommended you talk to your supplier to make sure you are getting the right product for your job.

## MOVEMENT

Movement is a natural process that causes the timber to expand and contract as moisture is gained and lost within the cells of the timber. This movement cannot be stopped and is expected in all situations. InStyle cladding has been developed to allow for this movement and needs to be installed correctly to prevent issues caused by movement. Please note there should be a gap around the tongue and groove. Refer expansion gap photo.

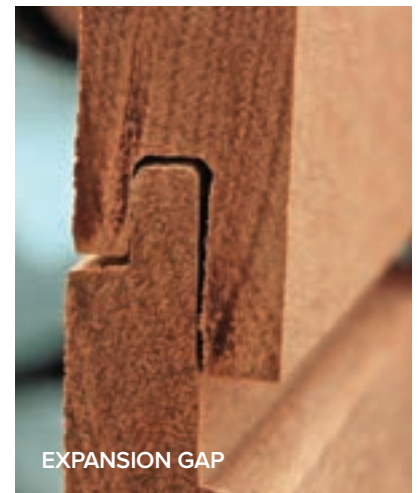
## COATING

Fully coating InStyle cladding on all sides before installation can prevent movement and it also helps to protect the cladding while on site. It is recommended to be factory coated in Cutek, WOCA or any oil based product.

If not factory coated, InStyle cladding needs to be fully coated before installation. Any ripped edges or end trims must be sealed by the same product. All coatings will require recoating and maintenance as per manufacturers recommendations.

## PAINT

Using dark colours can cause the timber to absorb heat more than lighter paints and stains. If you are considering using a black or dark stain it is advised that you face fix your cladding as there is more chance your cladding will move over time.



## VAPOUR PERMEABLE MEMBRANE

Inclusion of vapour permeable membranes into the building structure allows water vapour to pass through the structure whilst preventing the entry of wind driven rain (liquid water) from the outside environment both during and after construction. When positioned against the outside of the building frame as a wall wrap, these membranes reduce the risk of condensation forming inside the home and building structure.

A vapour permeable membrane such as Enviroseal ProctorWrap range with a vapour permeability of no less than 2.0ug/N.s and a water barrier classification of HIGH must be installed to ensure the performance of your cladding system. Enviroseal ProctorWrap product must be installed as per manufacturers recommendations.

## CONTROLLING CONDENSATION

Position the vapour permeable membrane on the external side of the building frame, with the cladding spaced no less than 20mm from the membrane to allow a drying and drainage path for moisture, Enviroseal ProctorWrap membrane high water hold out allows condensate to safely drain away from the building without bleeding back through the membrane as condensate. These membranes provide superior permeability over perforated traditional 'breather' foils and meet the AS4200.1 Water Barrier "High" water hold-out requirement for lightweight construction materials such as InStyle timber claddings.

## FLASHINGS – AS PER NORMAL BUILDING PRACTICES

Flashings at corners, doors, windows and wall intersections must be installed to prevent water from entering the cavity

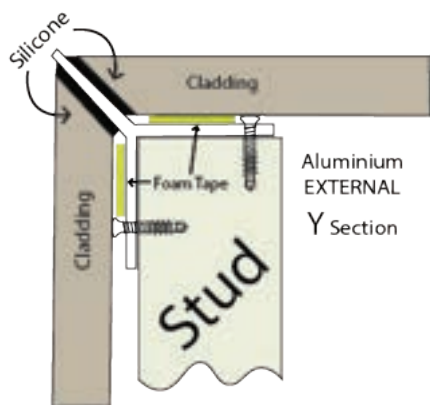
InStyle cladding should finish no closer than 150mm from the ground, or a flashing should be installed to prevent any water take up from the ground.

## STUDS OR BATTENS

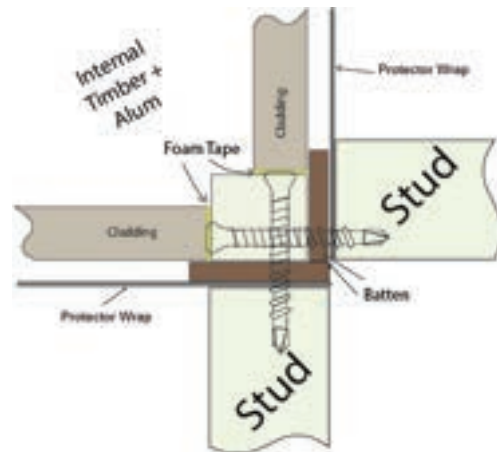
Fixing InStyle cladding to any wall or batten should have fixings at no more than 450mm centres. There must be a gap of 20mm behind the cladding to make sure any moisture can escape. All walls should be straight and plumb.

## CORNERS

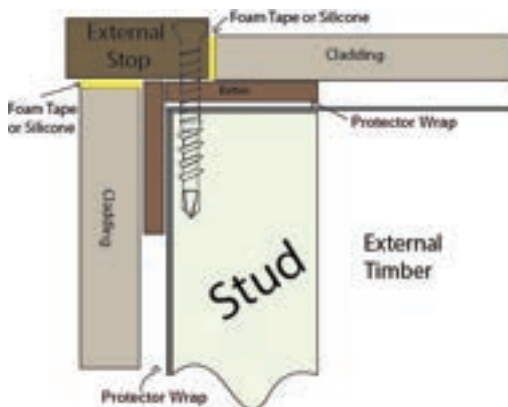
Traditional timber 32x32 internal and 57x32 external stops can be used. Please see drawings for installation process. As a stylish alternative to traditional stops, we have developed our own InStyle Aluminium range, available in natural anodised clear and anodised black, both of which are available from your local InStyle supplier.



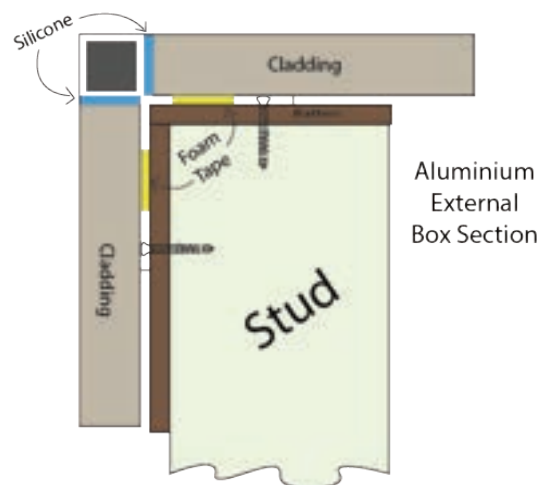
EXTERNAL ALUMINIUM Y SECTION



INTERNAL TIMBER & ALUMINIUM



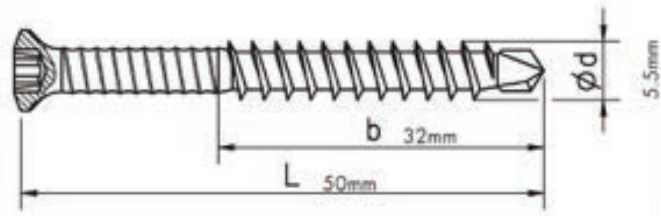
EXTERNAL TIMBER



EXTERNAL ALUMINIUM

## CONCEALED FIXINGS

InStyle cladding has been designed to allow for an InStyle cladding Stainless Steel 12G 316SS Screw to be concealed by the next board. Pre drill with a suitable clearance drill bit to avoid splitting.



**INSTYLE 50MM 316 STAINLESS STEEL SCREWS**

InStyle Shiplap Cladding should be installed using our concealed fixing system only in appropriate areas that can be maintained correctly and are out of extreme weather conditions. In areas of extreme weather a face fixed finish must be considered.

## END MATCHING

End matching is a process in which we create a tongue and groove on the ends of our cladding. This allows InStyle to be joined off stud, which ensures wastage is minimised, less cutting, and reduces installation time. End matching will reduce the overall cost of your cladding investment. All end matched joints need to be sealed with a high quality exterior sealant. If excess sealant is visible after installation, wait until the sealant is dry before removing any excess with a chisel or knife, taking care to not damage the cladding.

## MAINTENANCE

InStyle cladding must be re-coated as per coating manufacturers recommendations. Buildings or walls in areas of extreme weather conditions will require more frequent maintenance service intervals. Keeping InStyle cladding maintained will ensure the cladding remains beautiful for a very long time.



## THE INSTALLATION PROCESS

1. Make sure InStyle cladding has been envelope coated 360° with a quality oil based finish.
2. Check that walls are straight and plumb.
3. Make sure there is adequate drainage provisions in place to allow for any moisture inside cavity to escape.
4. Install a vapour permeable membrane.
5. Install battens over the vapour permeable membrane no more than 450mm apart. Minimum gap between cladding and vapour permeable membrane of 20mm is the preferred method of installation.
6. Install flashings where necessary.
7. Install internal and external corners. Traditional timber corners or InStyle's modern aluminium profiles can be used. Timber and aluminium corners must be sealed with an external silicone and our InStyle Foam tape.
8. Horizontal Starter Board – If running your cladding horizontally make sure the tongue side is facing up. Create a starter board by ripping off the tongue from the cladding and screwing to the bottom of your wall. This will allow for a concealed fix finish as per photo 3...
9. Vertical Starter Board – Rip off the tongue from the cladding and screw up to external stop making sure that the screw will be concealed by the next board as per photo 4...

Note: Starter Boards can be purchased from your local InStyle Stockist.



PHOTO 3

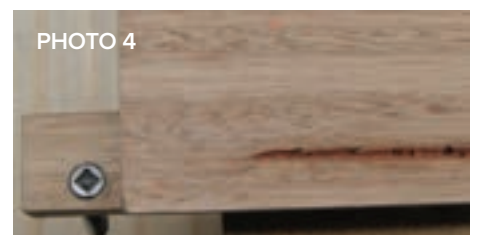
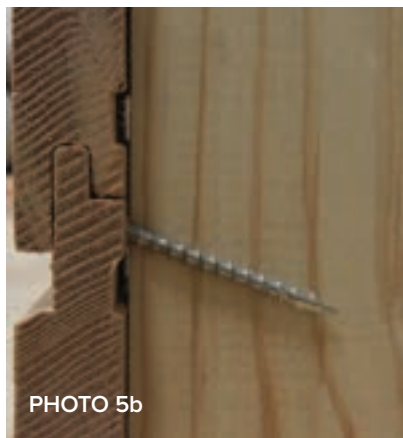


PHOTO 4

## THE INSTALLATION PROCESS

11. Mark out the board increments on the battens to ensure that the expansion gap is allowed for and to prevent progressive error and lines going out of alignment.
12. Start installing cladding from the starter board. Using a countersink drill bit, pre drill a hole for the screw to avoid the tongue splitting. This hole must be in the concealed fixing area to prevent the screw head from becoming visible with the natural movement of the cladding. As per photos 5a & 5b.



13. Move up or across the wall making sure everything is level. Screw the tongue off at every batten until you reach the top or end of the wall. Making sure you have a watertight finish.

### THINGS TO REMEMBER

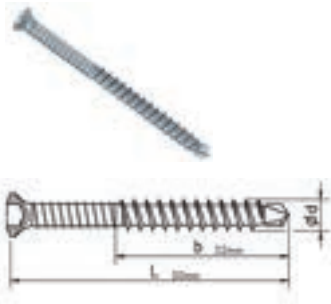
1. Make sure that any end grain or ripped edges are sealed with the same product used to protect the cladding.
2. All end matched joints need to be sealed with a high quality exterior sealant. If excess sealant is visible after installation wait until it is dry before cutting off with a chisel or knife making sure not to scratch the cladding.

# InStyle

CLADDING ACCESSORIES

## SCREWS:

---



- 12G x 50mm – 316 Stainless Steel Screws
  - No.2 Square Drive screws – 250 Screws Per Box
- Approx. Coverage Per Box:
- 122 Profile – 13M2
  - 76mm Profile – 9M2

## TIMBER STOPS:

---

Available in both 32 x 32 (internal) and 57 x 32 (external) sizes in the following species:

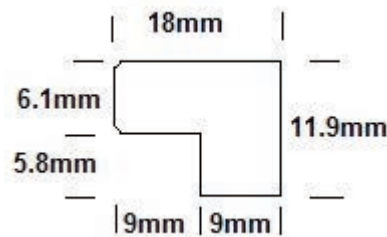
- Western Red Cedar
- Blackbutt
- Spotted Gum
- Iron Bark
- American White Oak
- Tas Oak/Vic Ash
- Pacific Teak/Vitex

Other species available on request



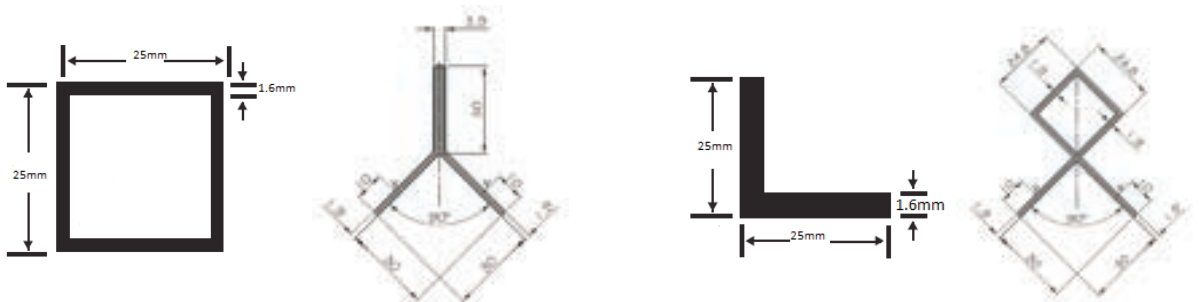
## STARTER BOARDS:

---



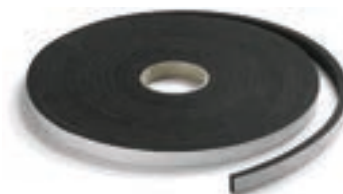
## ALUMINIUM TRIMS – AVAILABLE IN MODERN ANODISED SILVER OR STYLISH BLACK FINISH

---



## WATERPROOF FOAM TAPE:

---



**Who is bringing InStyle Cladding to you?**

**USE TIMBER  
– THE MOST  
ENVIRONMENTALLY  
FRIENDLY BUILDING  
PRODUCT ON  
THE PLANET**

**Manufactured by  
Bayswood Timber Wholesalers**



**BAYSWOOD TIMBER  
WHOLESALERS PTY. LTD**